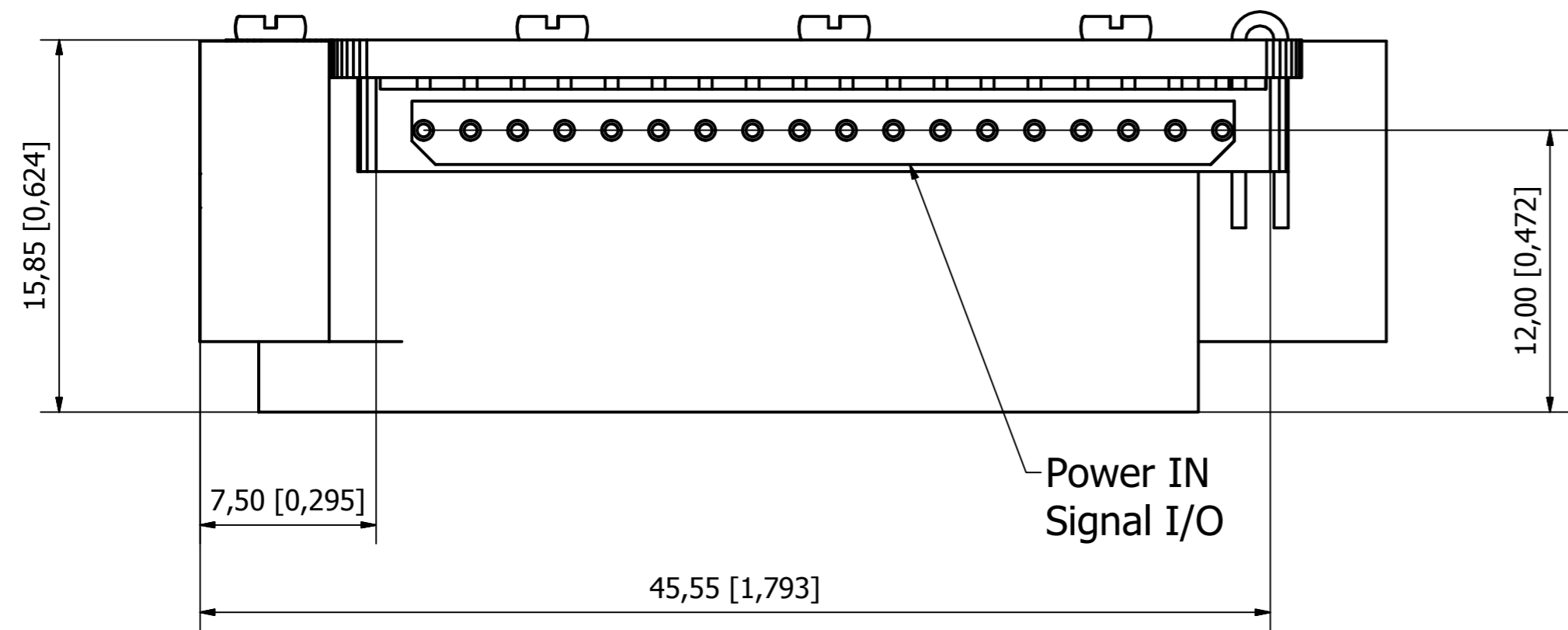
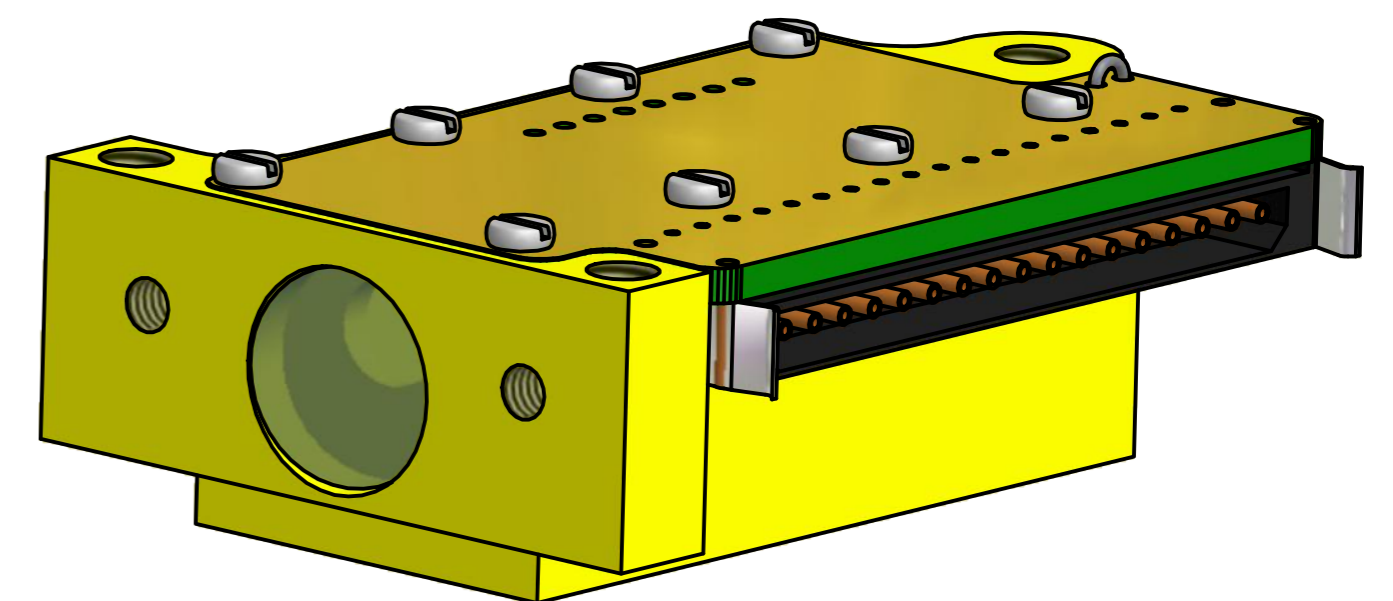
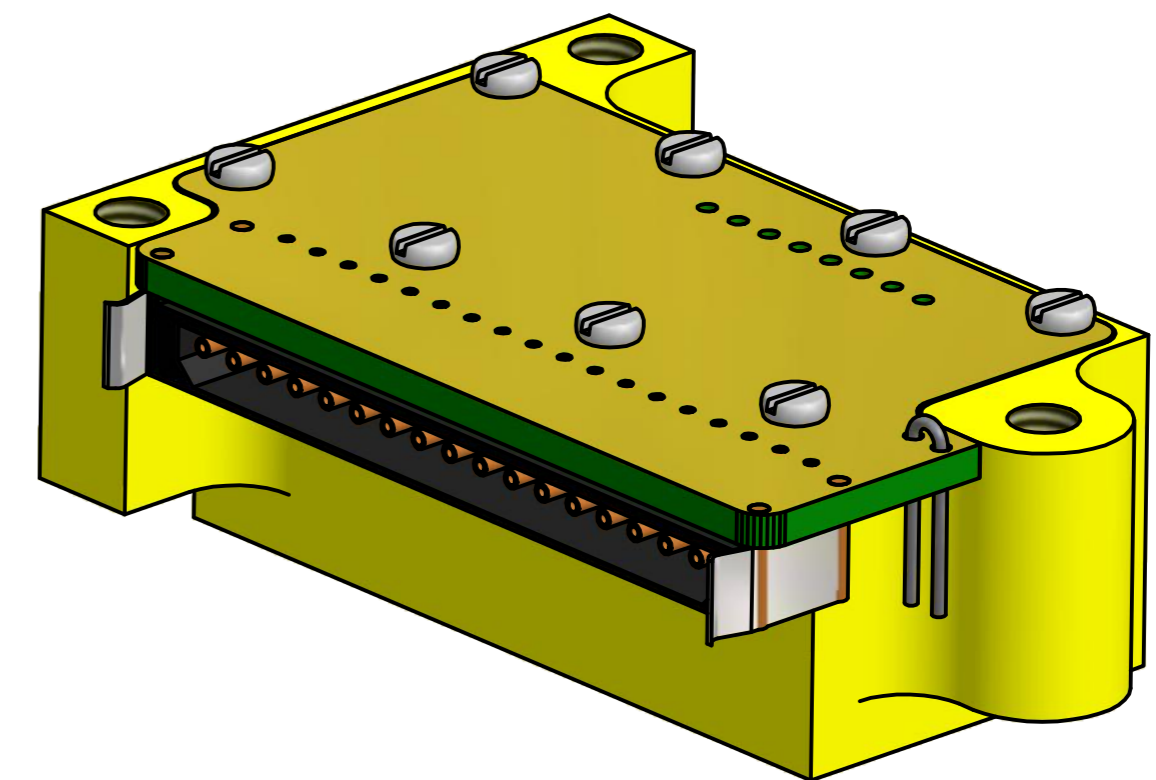
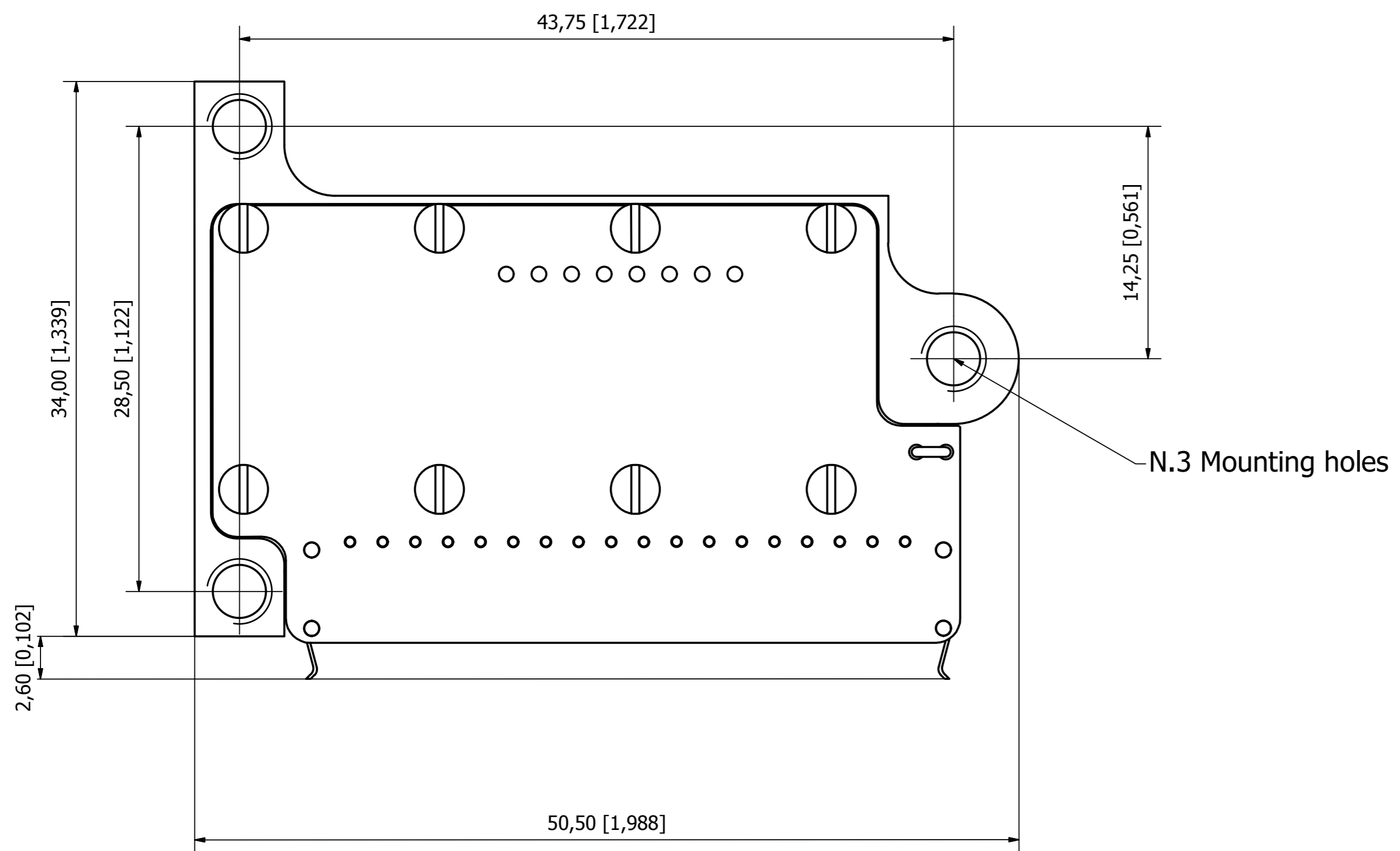
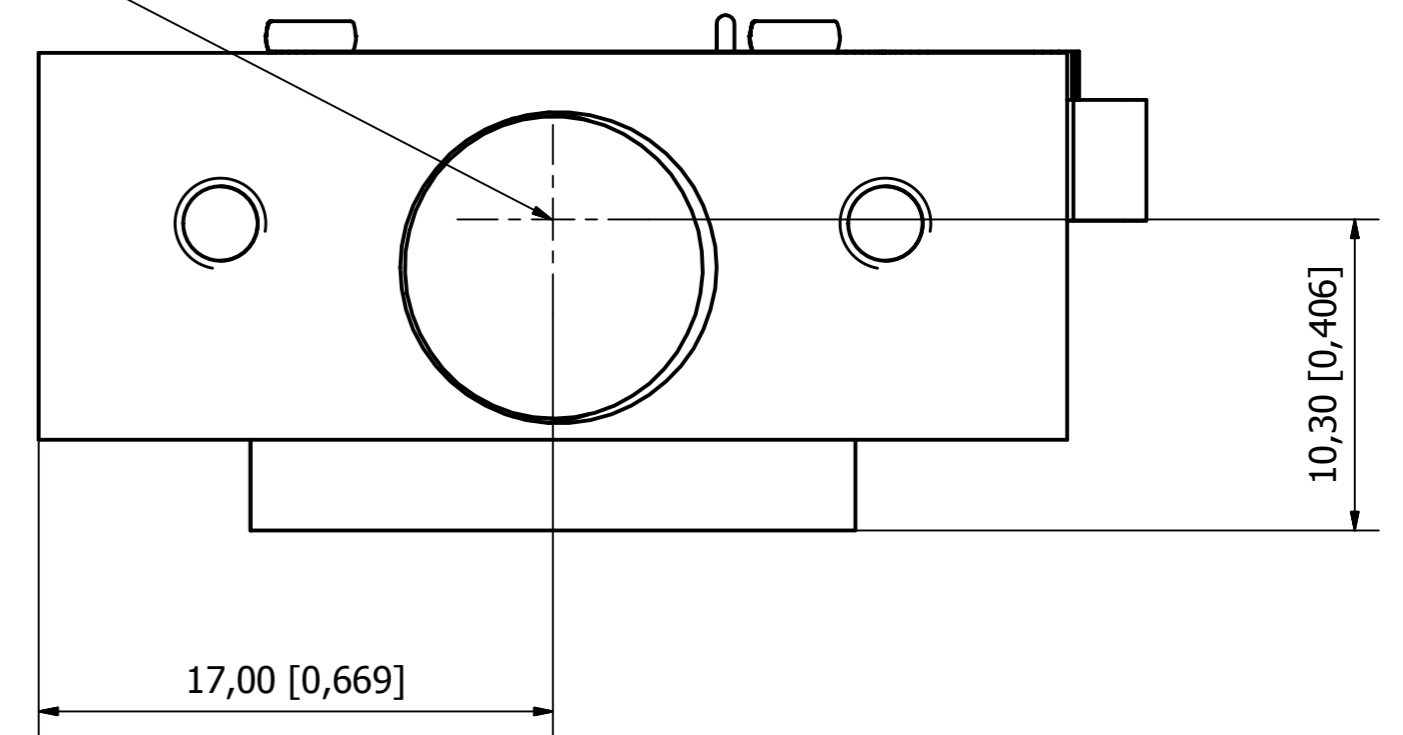


mm [in]



Laser out



FP3 microchip package

Date: 03/10/2016

Rev: -

All information included are confidential and subject to change. Up to date drawing can be provided upon request.

